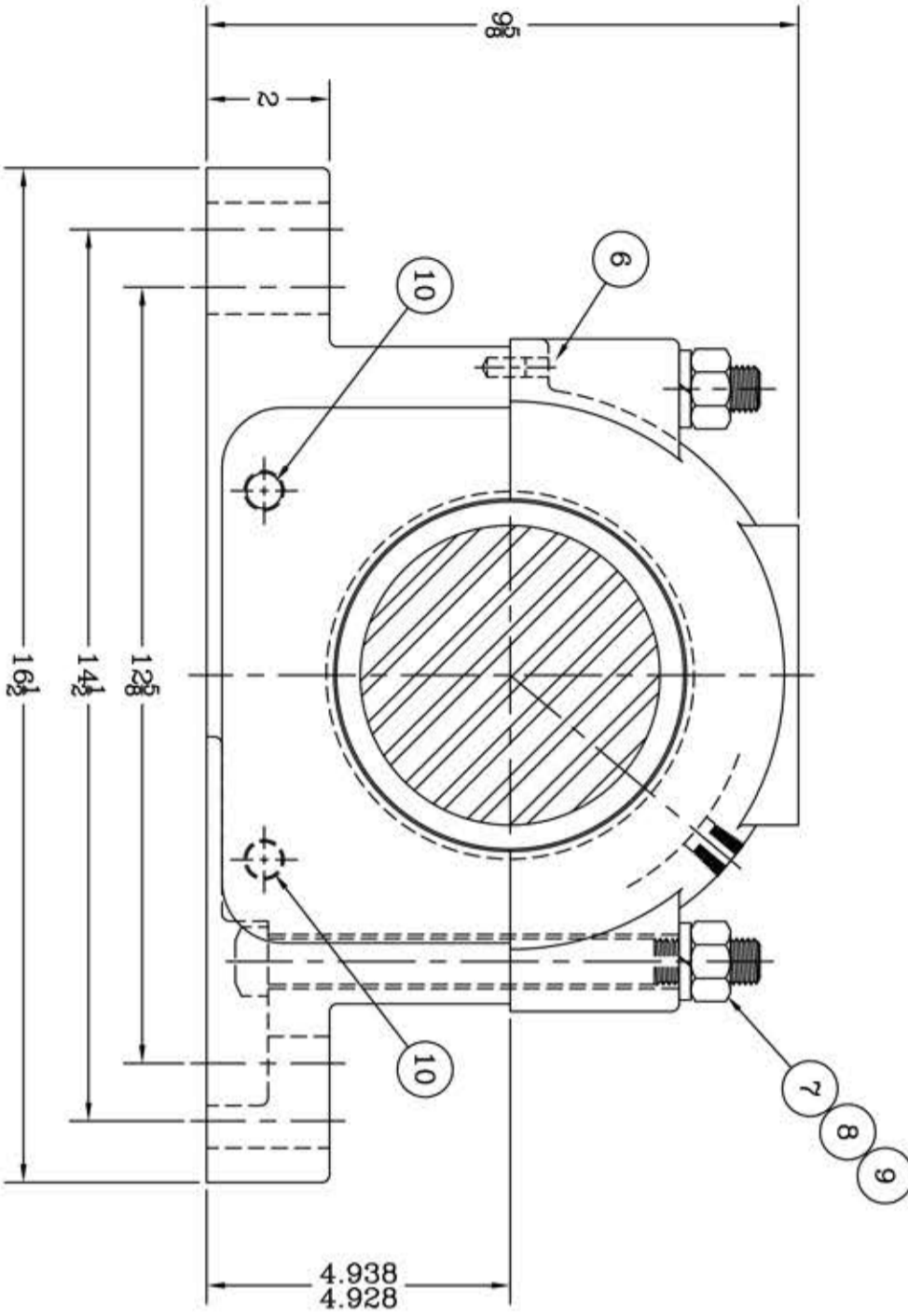
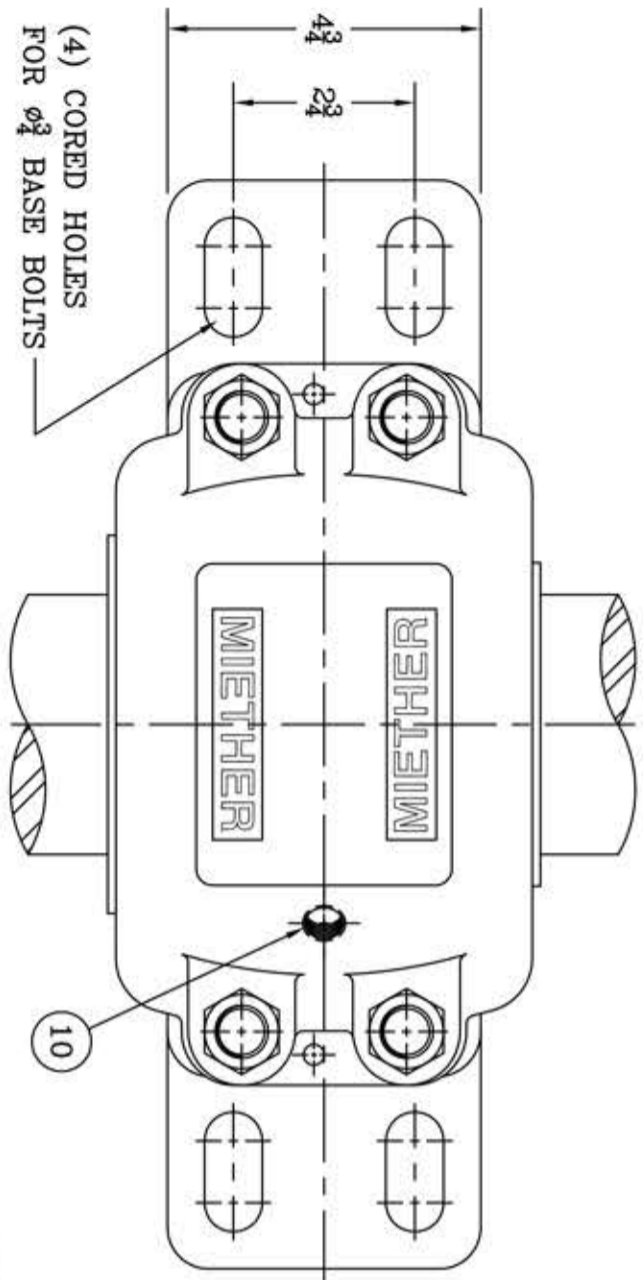
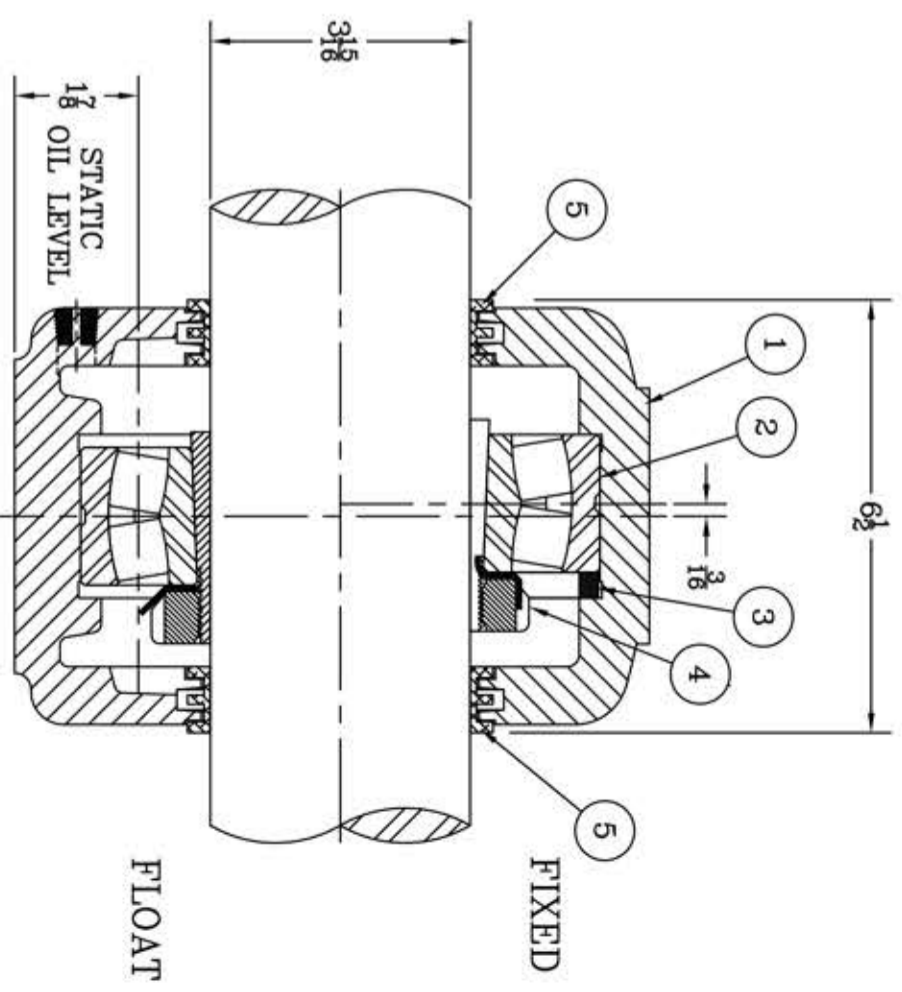


This drawing is the sole property of Miether Bearing Products and contains confidential and proprietary information. It is being provided to you for your use and may not be disclosed to any third party or used for any other purpose without Miether's prior written consent. The [materials] must be returned to the Company upon its demand. Your acceptance of these materials constitutes your acceptance of the foregoing terms.

C-14048



ITEM	DESCRIPTION	DETAIL	REQUIRED
			P.D.   P.L.T.
1	HOUSING SAF 522	C-13155-R	1   1
2	SPHERICAL ROLLER BEARING	22222K/W-33	1   1
3	STABILIZING RING SR-22-19	A-10603	1   0
4	ADAPTER SNW-22 03-15	B-	1   1
5	TRIPLE SEAL RING LER-109	A-10495	2   2
6	DOWEL	$\phi 5/8$ x $8$ LONG	2   2
7	CAP BOLT SQUARE HEAD	$3/16$ NC x 8" LONG	4   4
8	CAP BOLT HEX. NUT	$3/16$ NC	4   4
9	LOCKWASHER	$3/16$ SPLIT MED.	4   4
10	PIPE PLUG	$3/8$ -18 NPT	3   3



REDRAWN FOR CONFORMITY  
RWB per KAB  
1-22-04

REVISIONS

SYMBOL	DESCRIPTION
C	CONFORMITY
D	DESIGN
E	ENGINEERING
F	FINISHES
G	GEOMETRIC
J	JUDGMENT
K	KEYWAYS

AN ALCO INDUSTRIES COMPANY  
BEARING PRODUCTS  
ODESSA, TX. USA

SAF 22522 03-15	ASSEMBLY DRAWING
SCALE HALF	ASSEMBLY NO.
DRAWN GM	DRAWING NO.
DATE 1/21/70	CHK:
	C-14048

TOLERANCE: UNLESS OTHERWISE SPECIFIED  
FRACTIONS  $\pm 1/32$ " ANGLES  $\pm 0^\circ 30'$   
DECIMALS  $\pm .005$ " WELD  $\pm 1/16$ "  
CASTING  $\pm 1/16$ "